



# Garden Watchtower

## Installation Instructions

**NOTES:** Please check for any damage caused by the shipping company and take appropriate steps to file a claim, if needed.

\*Decking will be shipped as whole lengths and trimmed on site to accommodate any trees in design.

\*Minimum 2" required clearance of decking around circumference of tree to accommodate growth.

\*Please call **Digsafe** and check for any underground utilities before digging anywhere.

### Materials needed

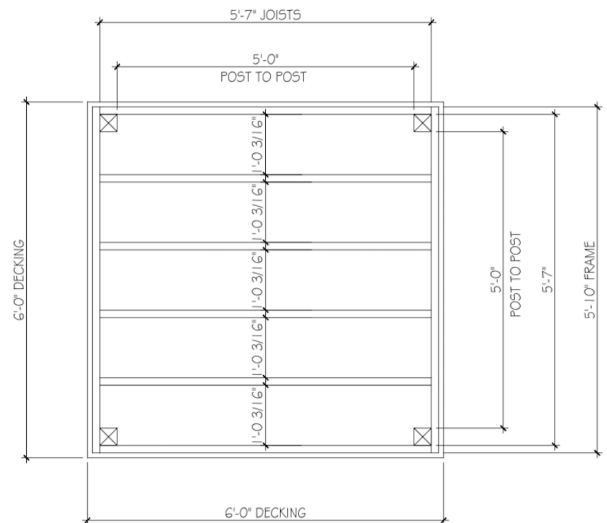
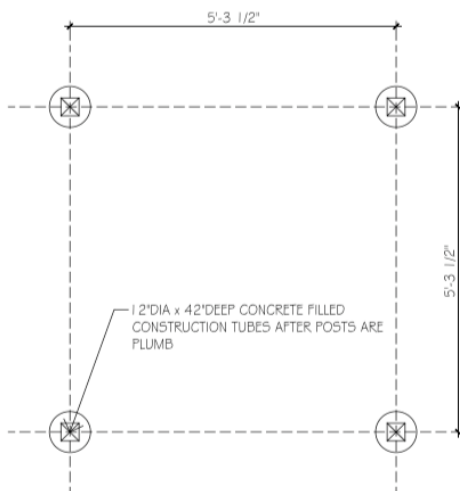
Cordless drill/driver, T25 bit, T30 bit, auger and/or post hole shovel, spade shovel, transfer (flat) shovel, grade rake, garden rake, level, tape measure, plate compactor, hand tamp, 6' ladder, four 12" sonotubes, four (4) Simpson hurricane ties, four (4) Simpson strong tie retrofit post base or similar, and forty (40) 50lb bags of fast-setting premixed concrete (not included). Concrete amount required may vary depending on how deep you can get the holes. Concrete amounts can be easily calculated at <http://www.quikrete.com/Calculator/Main.asp>.

### Instructions

1. Remove items from pallet or packaging.

*\*Note: Keep in mind that this is a climbing element and therefore it needs a fall zone extending 6 feet out on all sides of it which is usually 12" deep. You can create a container for this material by using either 2 layers of 6x6 retainers made for this purpose (which we can provide), or by digging a hole 12" deep. If you choose to dig the 12" deep hole, keep in mind that it needs to be drained so it doesn't fill up with rainwater or snow melt.*

2. Locate the watchtower deck where you like, set it down, orientate it as desired, and mark the four corner posts on the ground referencing the images below.



3. Use your tape measure to draw a circle six feet out in all directions. This is your fall zone. Keep in mind that after you add any accessories, the fall zone needs to extend six feet out from those items as well.

# Garden Watchtower

## Installation Instructions

4. Excavate or build up your fall zone, depending on what you wish to do.
5. Now that your fall zone is established, move the watchtower deck back to the location you chose in step 2. You may have to remark the four corner posts on the ground.
6. Move the watchtower deck slightly away from the marked location for the posts to give you room to dig the post holes using an auger or post hole digger.
7. Set the four post hole diameters to 1'-0" and post hole depths to approximately 4'-0" (depending on region). The bottom of hole should "flare" out a little to create a bell shape to prevent frost heaving the post where applicable. Check local codes for the frost line in your area.


*\*Note: It is recommended to assemble the frame on flat ground, if not already assembled, (such as a parking lot), then be carried to desired installation location.*

8. Place the frame over the holes you dug to make sure they are aligned right, and make any adjustment needed to the hole.
9. Using the hand tamp, compact any loose material at the bottom of the holes.
10. Insert the four posts into the post holes.
11. Fill the bottom 6" of holes with drainage stone. Insert sonotubes into holes and fill with fast setting concrete mix adding water per instructions on bag. Using a laser level or level, make sure all posts are at the same height, and that the posts are plum. Let concrete cure for 24 hours.
12. Attach the frame onto the four posts.
13. Using a bubble level, check the level of the frame horizontally by placing the level across the frame from front to back, and left to right, in three different evenly spaced spots. Make any adjustments needed.
14. Attach the four railing sections. These sections may be different depending on what accessories were ordered.
15. Install watchtower accessories (attached).
16. Install fall zone material (we recommend wood chips).
17. All wood is treated with kid-friendly preservative, but as is the case with all wood facing the elements, it needs to be cared for, so check it periodically for rough spots, splinters, etc, and sand them out, and treat it with kid-friendly wood preservative (we have it available if you can't find it) once or twice a year to keep the wood from deteriorating.
18. Enjoy your Garden Watchtower!

*\*Garden Watchtower accessory instructions are attached, see pages 8-11.\**

# Garden Watchtower

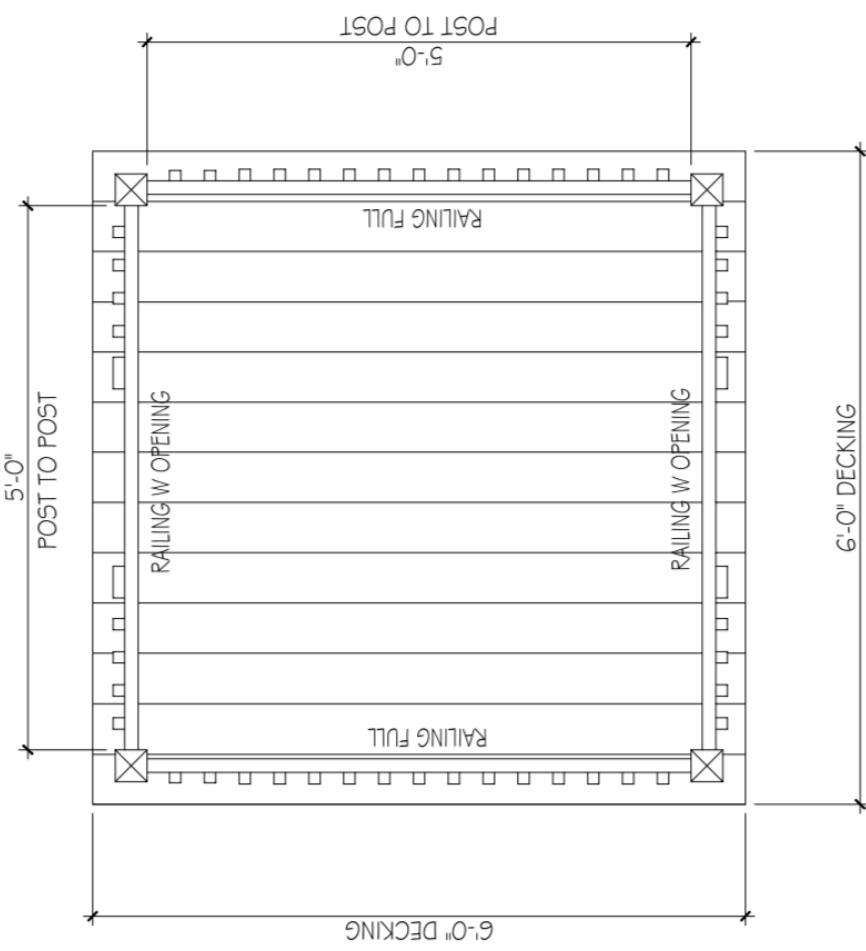
## Installation Instructions

	<p>NATURAL PLAYGROUNDS CO. 85 WARREN ST. CONCORD, NH 03301 (888)-290-8405 www.naturalplaygrounds.com</p>	<p>PROJECT: GARDEN WATCH TOWER (PRESCHOOL) 4' HIGH</p> <p>DRAWN BY: MK DATE: 04/12/17 REV: 07/22/18</p> <p>SCALE: AS NOTED</p>
---	--	--

**NOTES:**

- PLAY ACCESSORIES MAY VARY BASED ON FINAL ORDER. VERIFY ON ORDER FOR QUANTITY AND TYPE OF PLAY ACCESSORY;
- RAILING W OPENING IS FOR THE SLIDE AND CLOSED BACK LADDER,
- FOR CLIMBING WALL AND CLIMBING NET ACCESSORY USE THE 2x6x5'-0" LONG TOP RAIL ACROSS THE OPENING IN PLACE OF 5IT-DOWN BAR

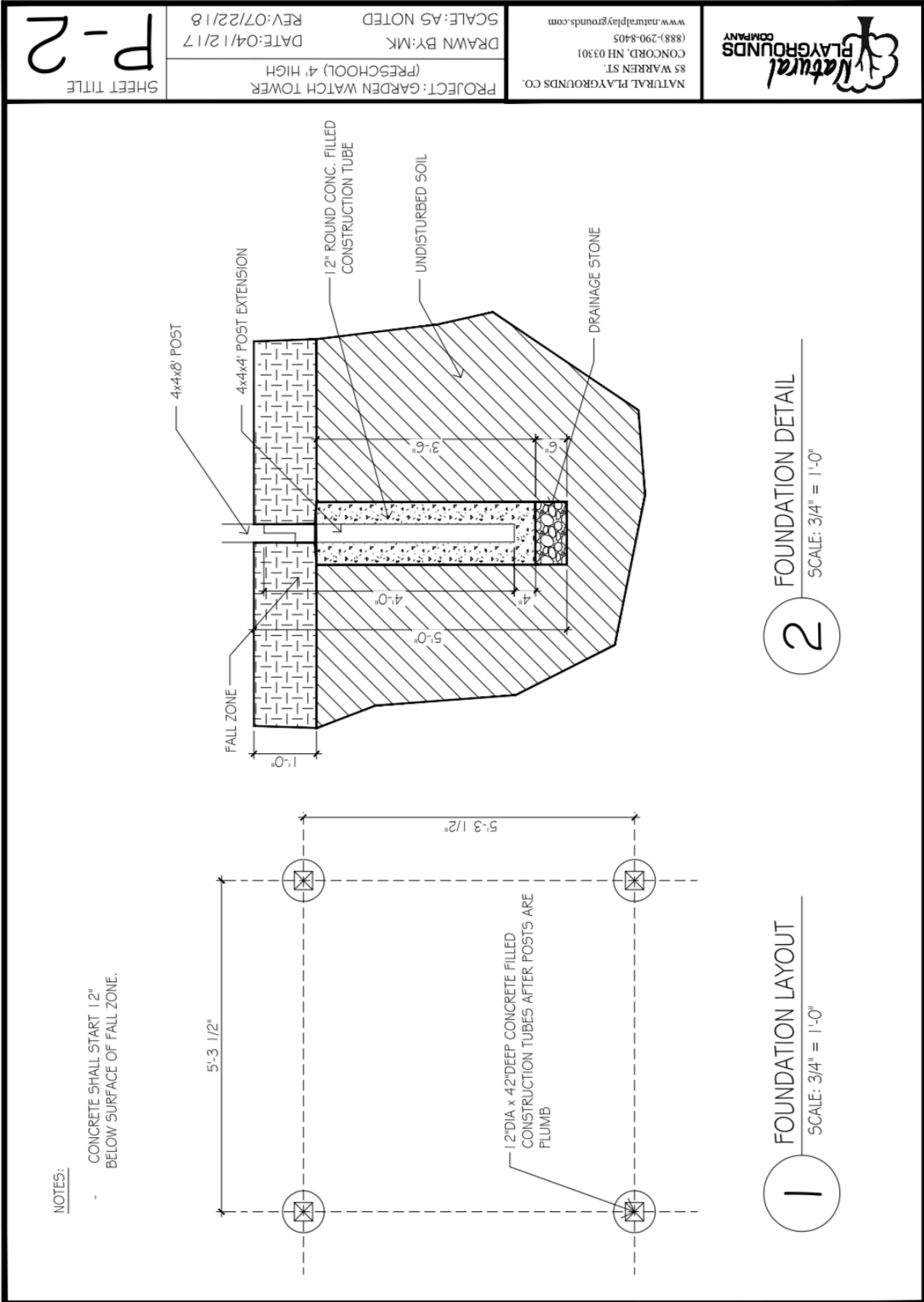


**1** GARDEN WATCH TOWER

SCALE: 1" = 1'-0"

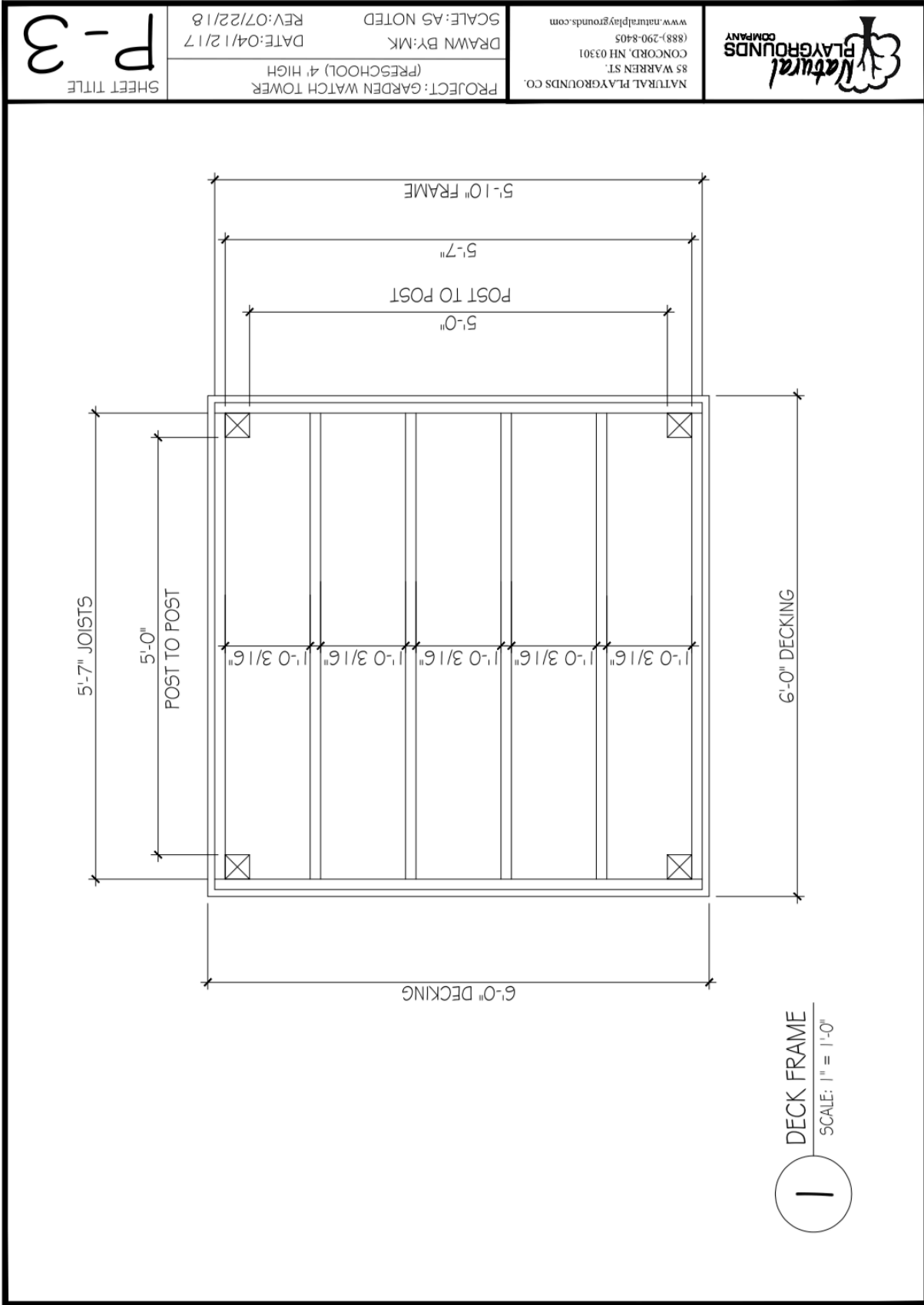
# Garden Watchtower

## Installation Instructions



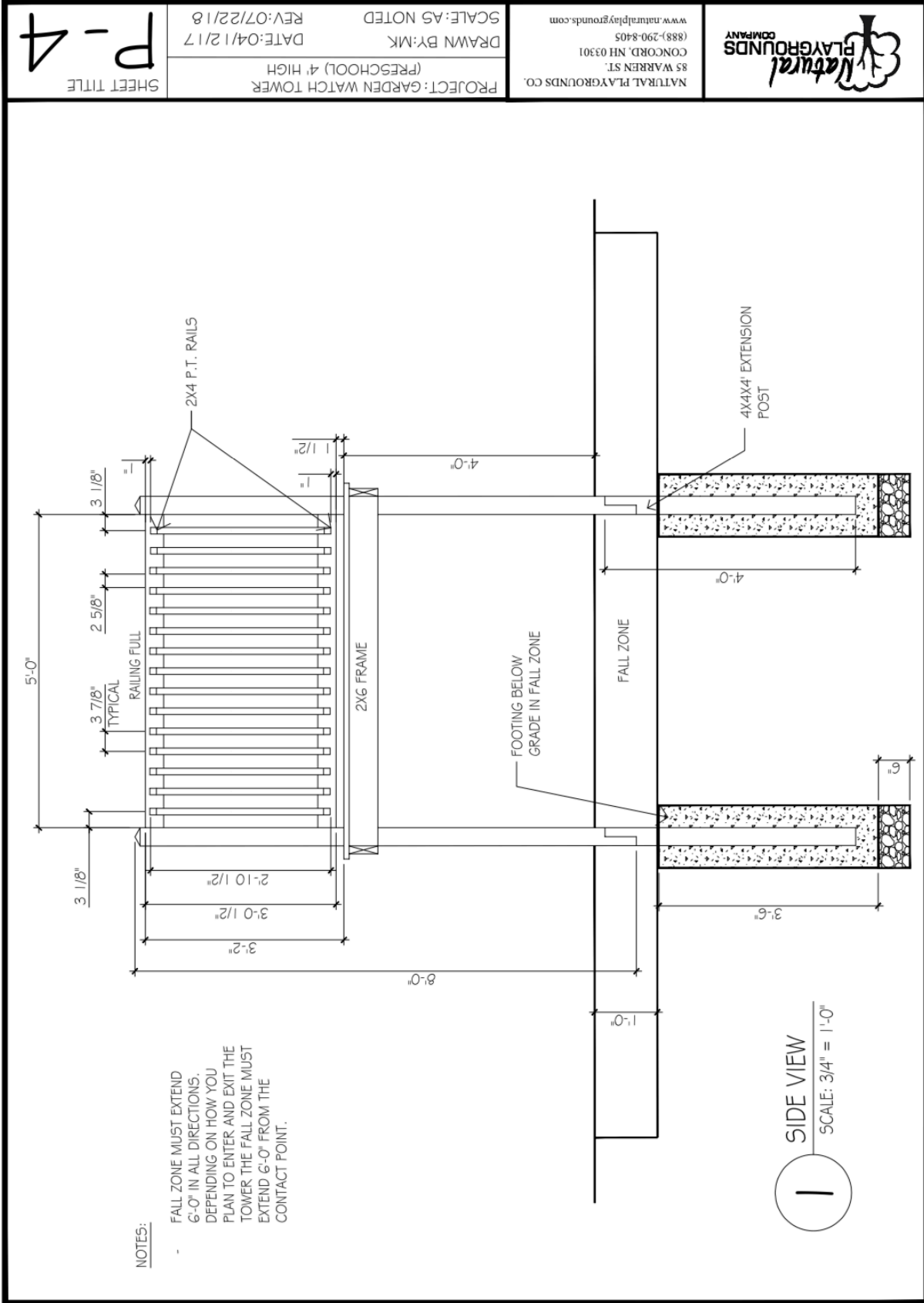
# Garden Watchtower

## Installation Instructions



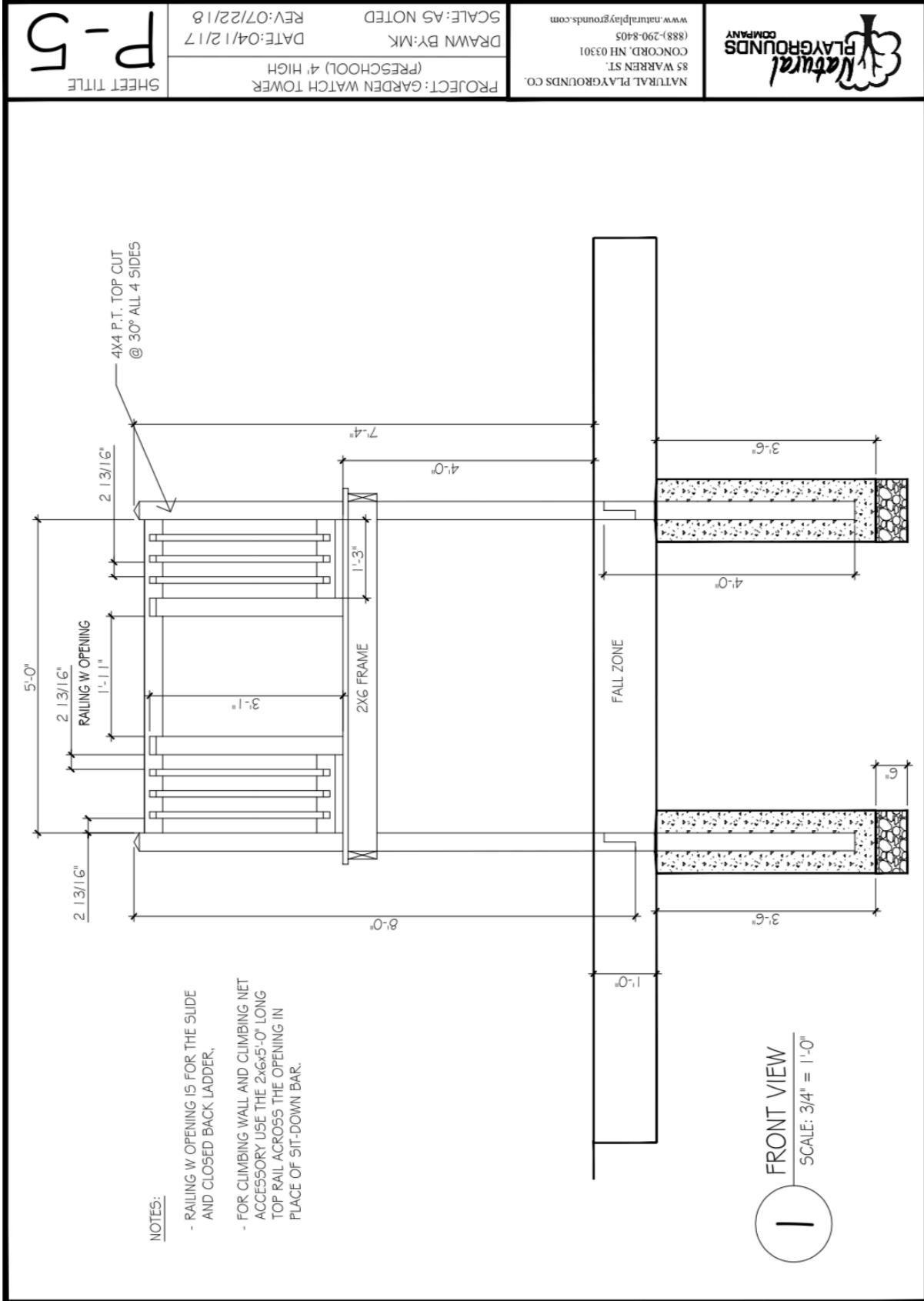
# Garden Watchtower

## Installation Instructions



# Garden Watchtower

## Installation Instructions



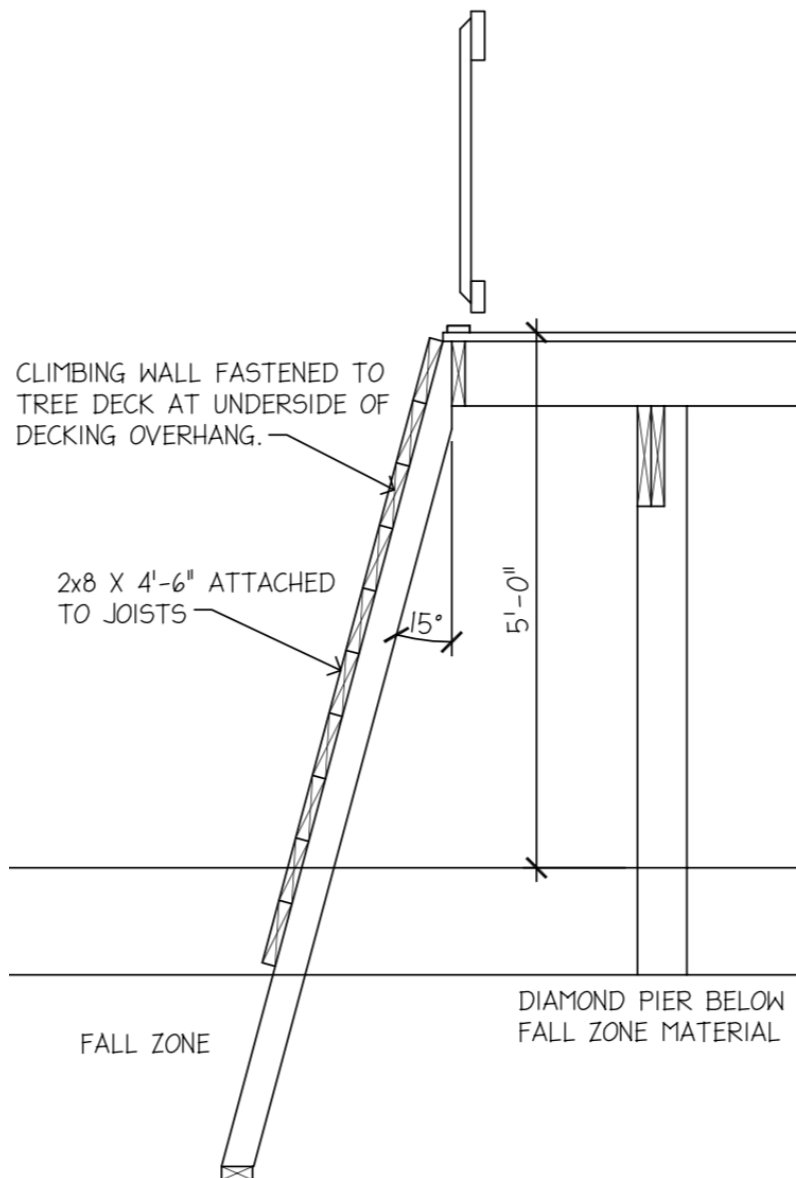
- NOTES:**
- RAILING W OPENING IS FOR THE SLIDE AND CLOSED BACK LADDER,
  - FOR CLIMBING WALL AND CLIMBING NET ACCESSORY USE THE 2x6x5'-0" LONG TOP RAIL ACROSS THE OPENING IN PLACE OF 51'-DOWN BAR.

# Garden Watchtower

## Installation Instructions

### Climbing Wall Accessory

1. Attach the climbing wall, fastening the top to the garden watchtower at the underside of the decking overhang, as shown below.
2. Secure the bottom of the climbing wall by driving two 2' long pieces of 1/2" rebar through the bottom plate.



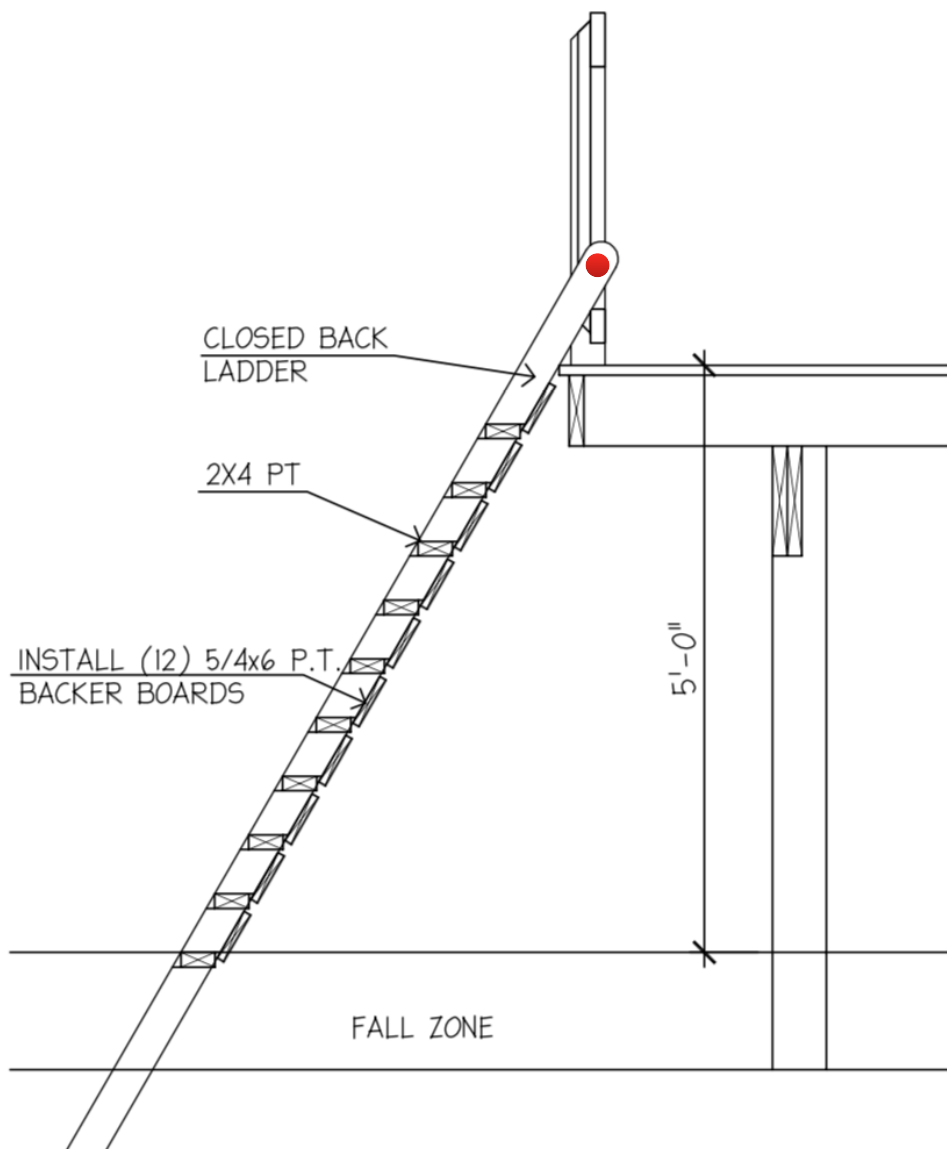


# Garden Watchtower

## Installation Instructions

### Closed Back Ladder Accessory

1. Attach the closed back ladder, fastening the top to the railing posts, as shown below (red dot indicates fastening location).
2. Secure the bottom of the climbing wall by driving two 2' long pieces of 1/2" rebar through the bottom plate.

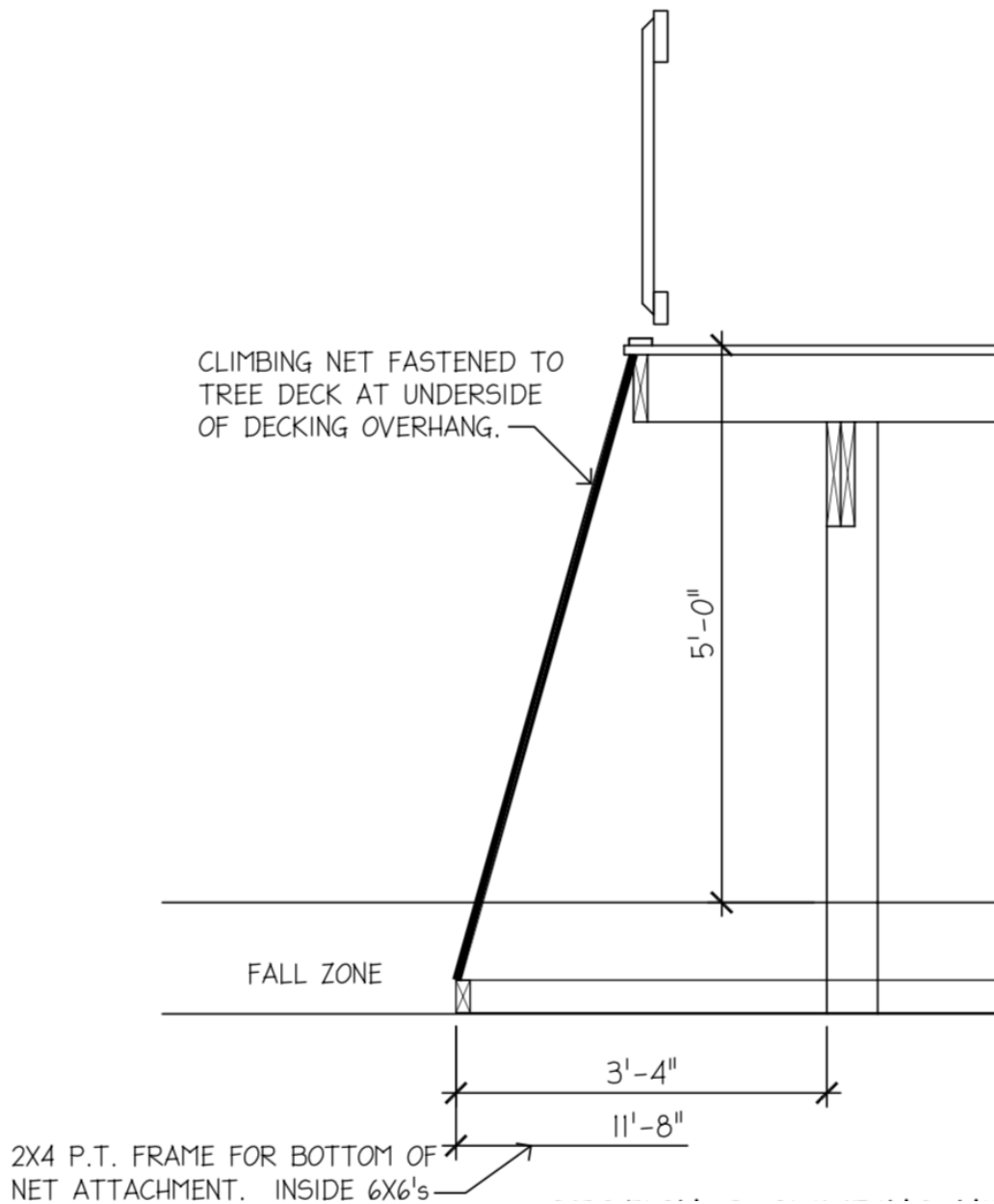


# Garden Watchtower

## Installation Instructions

### Climbing Net Accessory

1. Attach the climbing net, fastening the top to the deck frame at the underside of the decking overhang, as shown below.
2. Secure the bottom of the climbing net by installing the 2x4 P.T. frame from the climbing net base to the inside of the 6x6 subframe posts, as shown below.



# Garden Watchtower

## Installation Instructions

### Slide Accessory

1. Assemble the slide if not already assembled.
2. Line the slide mounting board up to the slide entrance as shown below, and drill three holes through the slide lip using the mounting plate as your guide.
3. Attach the slide mounting plate to the slide with the three carriage bolts provided.
4. Dry fit the slide in place, and mark the location of the slide foot.
5. Dig the slide foot post hole setting the diameter to 1'-0," and post hole depth to approximately 3'-6" (depending on region) and insert a sonotube into the hole. The bottom of hole should "flare" out a little to create a bell shape to prevent frost heaving the post where applicable.
6. Attach the slide foot to the slide.
7. Lift the slide and set the slide foot into the post hole, and pull the entrance up to the deck so that the slide lip sits on the deck boards, and the slide mounting board is flush with the deck frame.
8. Attach the slide entrance to the main deck by securing the slide mounting board (attached in step 3) to the deck frame with the provided hardware through the three labeled, predrilled holes.
9. Now you'll concrete in your slide foot. Double check the slide angle using an angle finder (you can download free angle finder apps on your phone) to ensure its at the desired slope (33-35 degrees) and make any adjustments to the slide chute.
10. Make sure the slide is level from side to side by placing a level across the side rails near the slide chute so the level is perpendicular to the slide, and make any adjustments necessary.
11. Fill the slide foot sonotube with fast setting concrete mix adding water per instructions on bag. Recheck your slope and the level from side to side.
12. Backfill hole and install fallzone material.

